

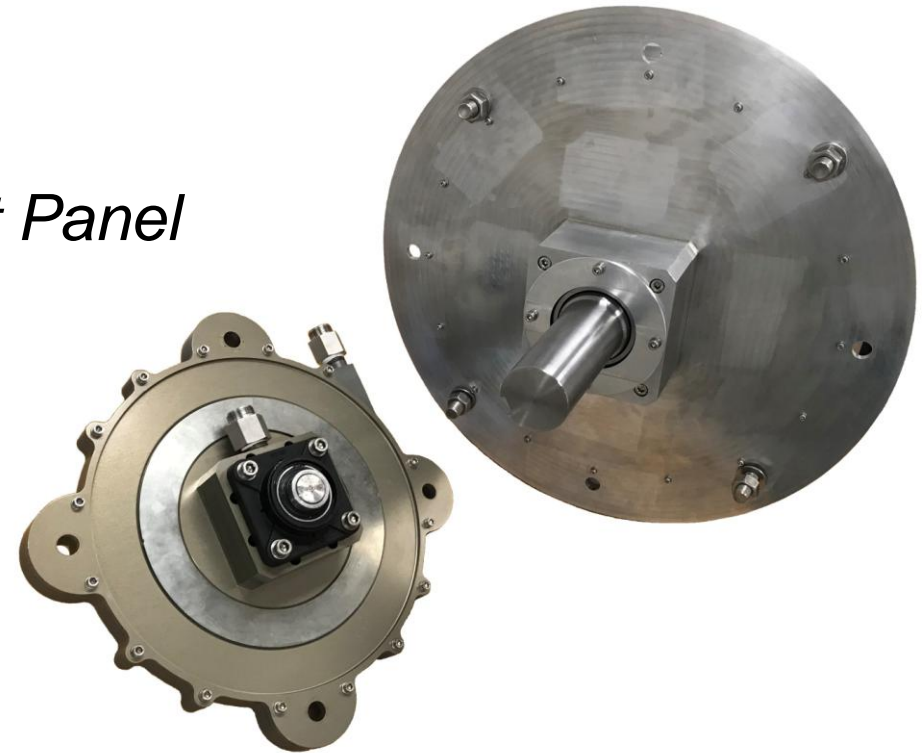


Decarbonising Heat

Rushlight Show: Sustainable Solutions Market Panel

Robert Thompson, CEO
info @ rotaheat.co.uk
M: +44 7768 002058

30 January 2019



Rotaheater® Pico and Micro

The Elephant in the UK

Heat Use

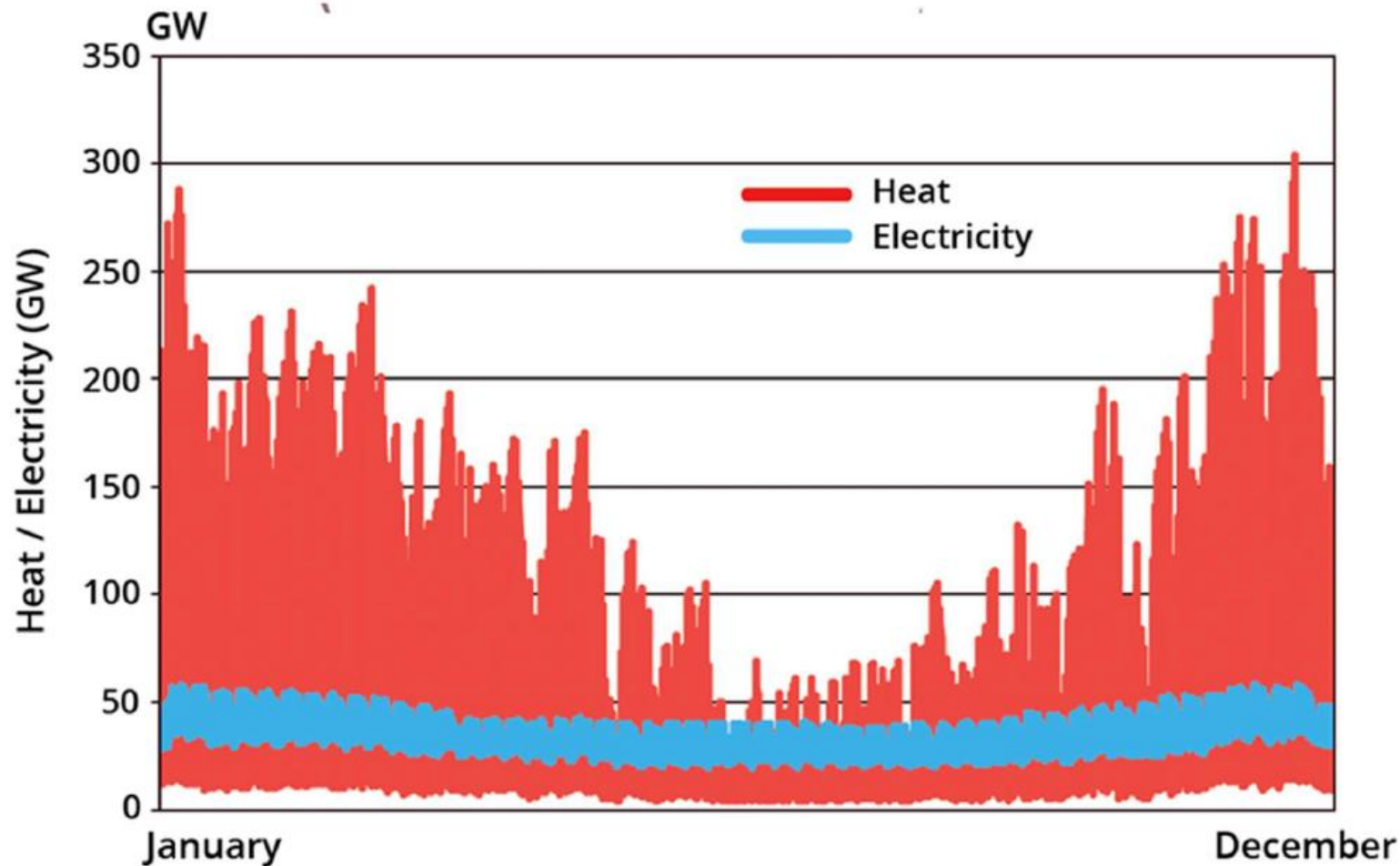
64% Space Heating

14% Hot Water

14% Process Use

3% Drying

5% Cooking

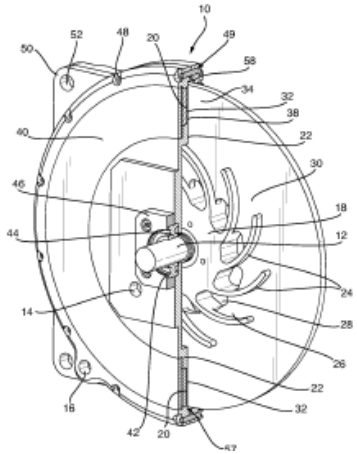


Sources: BEIS; Grant Wilson, Lecturer at the University of Birmingham

Inexpensive clean solutions

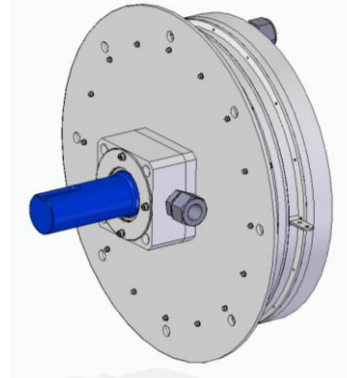
Rotaheater® Pico

- Output: 3kW to 30kW (configurable)
- Temperatures up to 180°C
- Efficiency exceeding 96%



Rotaheater® Micro

- Output: 20kW to 250kW (configurable)
- Temperatures planned to exceed 300°C
- Efficiency exceeding 97%



Illustrative Markets and Applications



Farms

- Off the mains gas grid, incurring 2x energy cost premium.
- Adjacent to a river.
- Harnesses hydro power to provide steady 25°C **space heating** for horticultural and animal rearing.



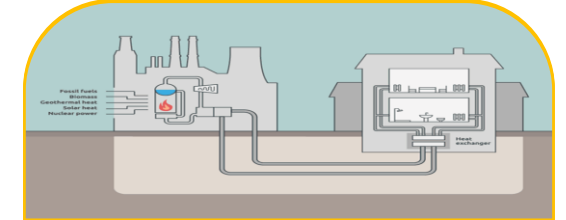
Turbine OEM

- Face reduced sales through cost of providing grid connection.
- Enhanced proposition to provide **rural heat**, bypassing need for expensive grid connection.
- Increased RoI & yield by replacing electrical subsystem with heat subsystem.



Chemical Plant

- Explosive operating environment.
- Government carbon levies increasing costs.
- Requires 180+°C **safe heat**.
- Adopts heat solution consisting of electric motor coupled direct to Rotaheater.



District / Multi-occupancy

- Localised communal heating to increase efficiency / lower costs.
- Electric motive drives Rotaheater to generate **community heat**, exploiting low/off-peak electricity costs.
- Increase grid flexibility and supplement CHP technologies.

ROTAHEAT Zero Carbon Heat



THE PROBLEM

Global Need for Clean
& Inexpensive Heat



OUR APPROACH

Rotation and
Magnetic Fields



THE RESULTS

>> 97% Efficiency
Faster Payback

Next Open Day: Friday February 15

info @ rotaheat.co.uk

www.rotaheat.co.uk